

B39
BLUELIFT

ReachMaster launched the Bluelift line in North America in 2010, and since then this line of track-based compact aerial lifts has continued to set one record after another:

The first manufacturer in the world to

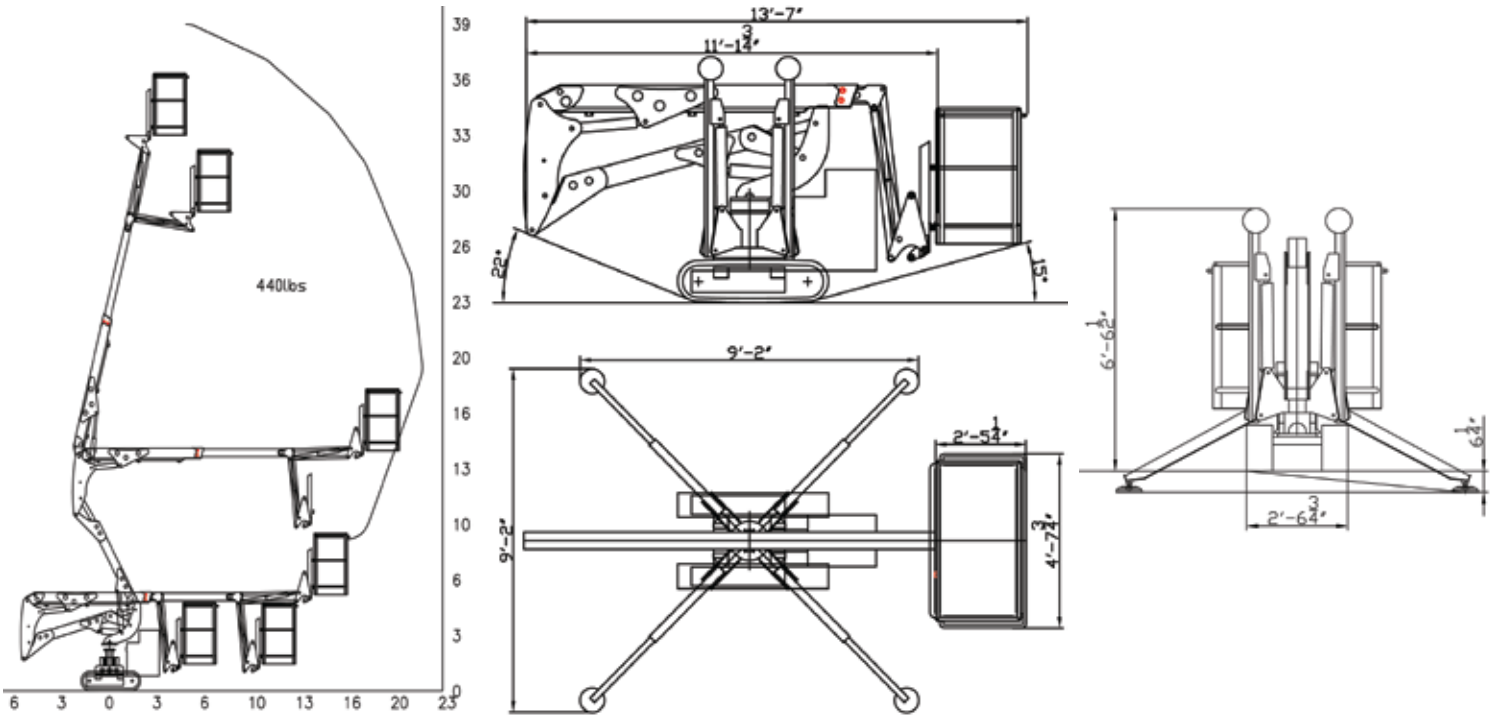
- offer a 72 ft. work height unit with an overall length of less than 15 ft
- feature a true hybrid option with combined lithium and combustion engine in this class of units
- offer the most narrow units in its class
- auto centering of boom, go-home features and many more operator aid functions

The latest new feature is an innovative electro-hydraulic system that will allow the operator to use two independent functions at the same time.

With working heights from 39 – 101 ft., single and double door access combined with hybrid power solutions, the Bluelift line offers an unmatched range of versatile lifts that can be used in- and outdoor. Applications such as general rental, window cleaning, building maintenance and tree care are just a few of the many tasks where the Bluelift line will offer a superior, safer and more efficient solution.

Model	B39
Working height	39ft
Basket height	33ft
Max outreach	21ft
Basket load	440lbs
Basket dims	4ft7 ³ / ₄ in x 2ft5 ¹ / ₄ in
Basket rotation (opt)	+/-90°
Turret rotation	360°
Height	6ft6 ³ / ₄ in
Length (w/o basket)	11ft1 ³ / ₄ in
Length (w/ basket)	13ft7in
Width (w/o basket)	2ft6 ³ / ₄ in
Footprint	9ft2in
Weight (approx)	4,225lbs
Max pressure, tracks	7.5psi
Max pressure, footplate	65.3psi
Track size (per track)	44in x 6 ¹ / ₂ in
Foot pad size (per pad)	48 ¹ / ₂ sq in
110V drive motor	Standard
Honda, iGX390	Standard
Lithium Battery	Option
Hatz diesel engine	Option

We reserve the right to alterations



B39
BLUELIFT

Standard Equipment

- Automatic stability & outreach control
- Computer controlled (can-bus)
- Basket rotation
- Proportional control of all functions
- Self propelled
- Non marking tracks
- Air/water to the basket
- 110V drive motor
- Honda iGX390 engine
- 360° non cont. turret rotation
- Manual pump for emergency lowering
- Width of only 2ft7in
- 2 person basket
- Full work height with 440lbs in basket
- Space for tools etc in basket
- 110V to the basket
- Remote control

Optional Equipment

- Radio control
- Hatz diesel engine
- Lithium Battery

Additional Specifications

Boom angle	0°/ +75°
Oil tank capacity	8gal
Max windspeed	28mph
Operating speed	0.9mph
Travel speed	0.9mph
Drive gradability	15°/28%
Set-up gradability	5°/9%



Ruthmann Reachmaster N.A. LP
Toll Free: 866-358-7088
www.ruthmannreachmaster.com