

BIBI 26BL-W EVO



TRACK BASED SCISSOR LIFT



BIBI

26BL-W EVO

The unique and award winning BIBI 26BL was the first unit in the revolutionary line of bi-leveling compact tracked based scissor lifts. With its ability to both travel and set up on uneven surfaces, adjusting to both front and rear, as well as side sloping, the BIBI 26BL created a whole new category.

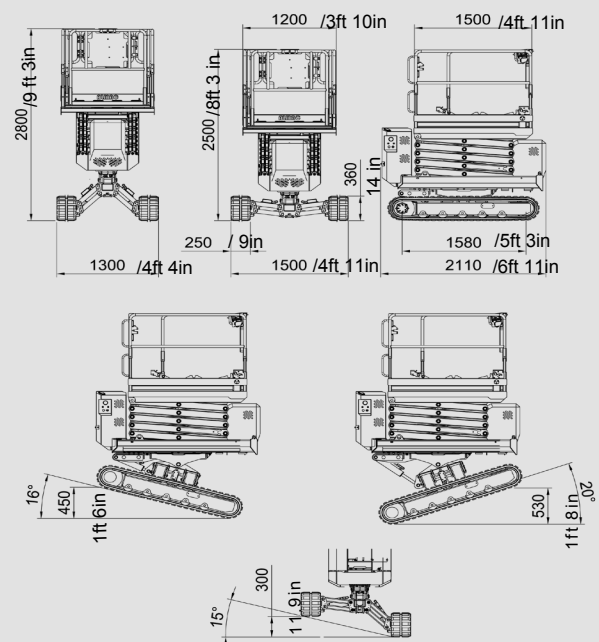
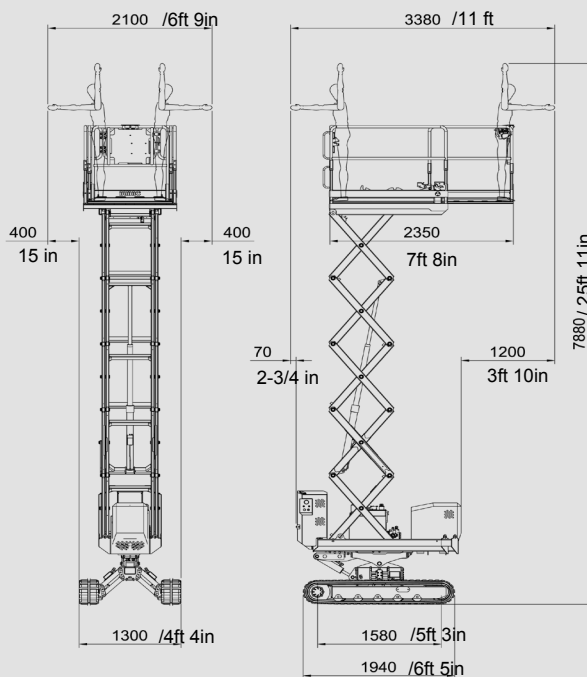
Its unique features allow the BIBI 26BL to get into work applications that no other lift can do, thanks to its compact size, and replaces the use of much bigger units or the alternative, less safe methods of access.

The BIBI 26BL is the new benchmark for efficient, safe access in uneven terrain.



Technical data	Bibi 26BL-W EVO
Basket capacity	550 lbs(2 op.)
Max working height	25ft 11in
Max height basket floor	19ft 4in
Moving height	20 ft
Lateral levelling for moving at heights	Dynamic Drive System (DDS)
Powered	KUBOTA Diesel Z482
Powered (option)	-
Powered (option)	-
Accelerator	Automatic
Undercarriage	Dynamic -Levelling System
Basket levelling	Automatic
Longitudinal levelling Front	+/- 16°
Longitudinal levelling Rear	+/- 20°
Lateral levelling	+/- 15°
Power generator (option)	220V-1kW
Electric pump (option)	220V-2kW
Hydraulic commands	Proportional
Direction-Control System	Yes
Easy-Drive System	Yes
Kit for high speed	max 1.7 mph
Ground emergency	Yes
Control of inclination	Automatic
Gradeability	25°
Side slope	21°
Length	6ft 11in
Width	4ft 4in-4ft 11in
Min. machine height with folded railings	6ft 6in
Total weight	5423 lbs
Compliance	ASNZS1418, EN 280, ANSI, CSA

- Bi-leveling tracks (front, rear & side)
- 26ft work height
- 16ft drive height
- Auto leveling
- Inclination control system
- Expandable basket



We reserve the right to alterations.



www.ruthmannreachmaster.com
1-866-358-7088

