



B53
BLUELIFT

BLUELIFT B53

When Bluelift in 2010 launched the first true hybrid compact lift, offering independent combustion engine and lithium battery power – the COMBO - on the same 72 ft. unit it paved the way for a completely new generation of compact lifts. The B53 is now the smallest Bluelift that can be supplied with all three power versions:

- **Standard** with the choice of either a Honda gas or Hatz diesel
- **Lithium Only** offering an all-electric battery unit
- **COMBO** offering both the choice of combustion engine and the Lithium Battery pack.

In addition to the 53 ft. vertical reach, the Bluelift B53 will provide the operator with an impressive 507 lbs. basket capacity at a horizontal outreach of more than 24 ft! As all Bluelift units, the Bluelift B53 is easy to transport, operate and most importantly your safest solution when working temporarily at height. With its 2 ft 6 in width the Bluelift B53 will enter through any single in- or outdoor access point, and its non-marking tracks will leave no smear marks on its way.

The Bluelift B53 is a great low range solution to a lot of reach applications from building maintenance over window cleaning to painting. As a rental unit or end-user unit, the Bluelift B53 will get the job done in an efficient, safe yet affordable manner.

Model

B53

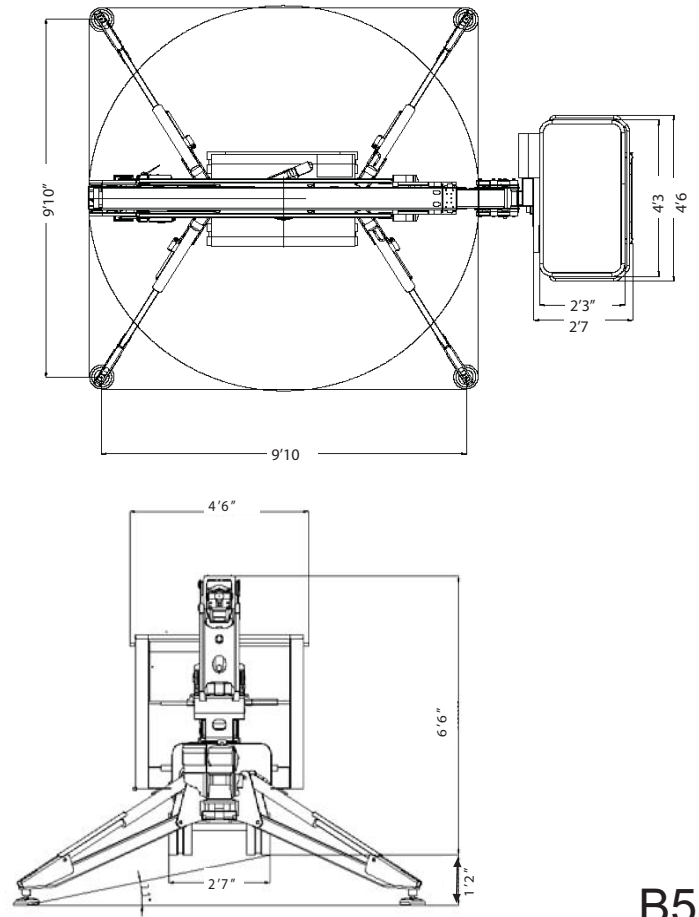
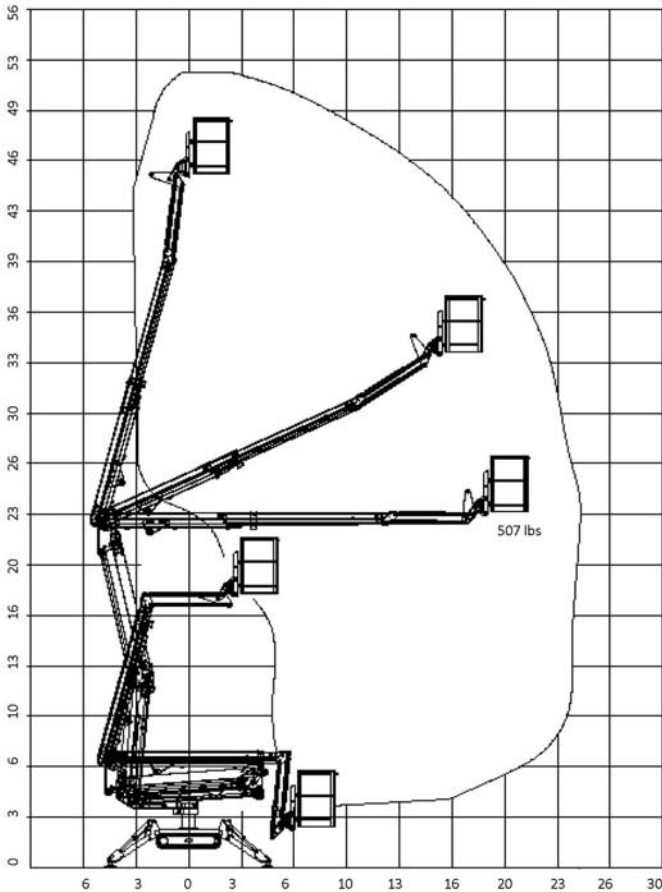
Working height 52' 6"ft
Basket height 47ft
Max outreach 24ft3in (507 lbs)

Basket load 507lbs
Basket dims 4ft3in x 2ft3in
Basket rotation +/-90°
Turret rotation 340°

Height 6ft6in
Length (w/o basket) 12ft3in
Length (w/ basket) 14ft5in
Width (w/o basket) 2ft7in
Footprint 9ft10 in x 9ft10in
Weight (approx) 4,190 lbs
Max pressure, tracks 8.3psi
Max pressure, footplate 65.4psi
Track size (per track) 44in x 6½in
Foot pad size (per pad) 48½sq in

110V drive motor Standard
Honda, iGX390 Standard
Hatz diesel engine Option
Lithium battery Option

We reserve the right to alterations



**B53
BLUELIFT**

Standard Equipment

- Automatic stability & outreach control
- 180° (+/-90°) basket rotation
- Non marking tracks
- Air/water to the basket
- 110V to basket
- Self propelled
- 110V emergency drive motor
- Honda iGX390 engine
- 340° non cont. turret rotation
- Manual pump for emergency lowering
- Width of only 2ft7in
- 2 person basket
- Cable Remote Control
- Automatic turret center stop

Optional Equipment

- Adjustable tracks
- Hatz diesel engine
- Lithium Battery
- Hetronic radio remote
- Custom paint

Additional Specifications

Boom angle	0°/ +75°
Oil tank capacity	8gal
Max windspeed	28mph
Operating speed	0.9mph
Travel speed	0.9mph
Drive gradability	15%/28%
Set-up gradability	10%/18%



Ruthmann Reachmaster N.A. LP
Toll Free: 866-358-7088
www.ruthmannreachmaster.com