

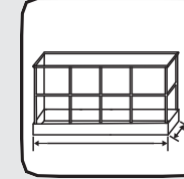

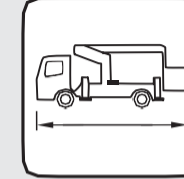

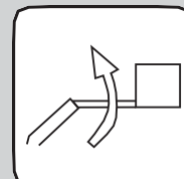
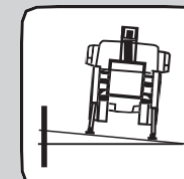
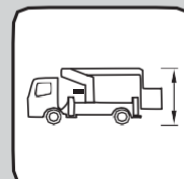



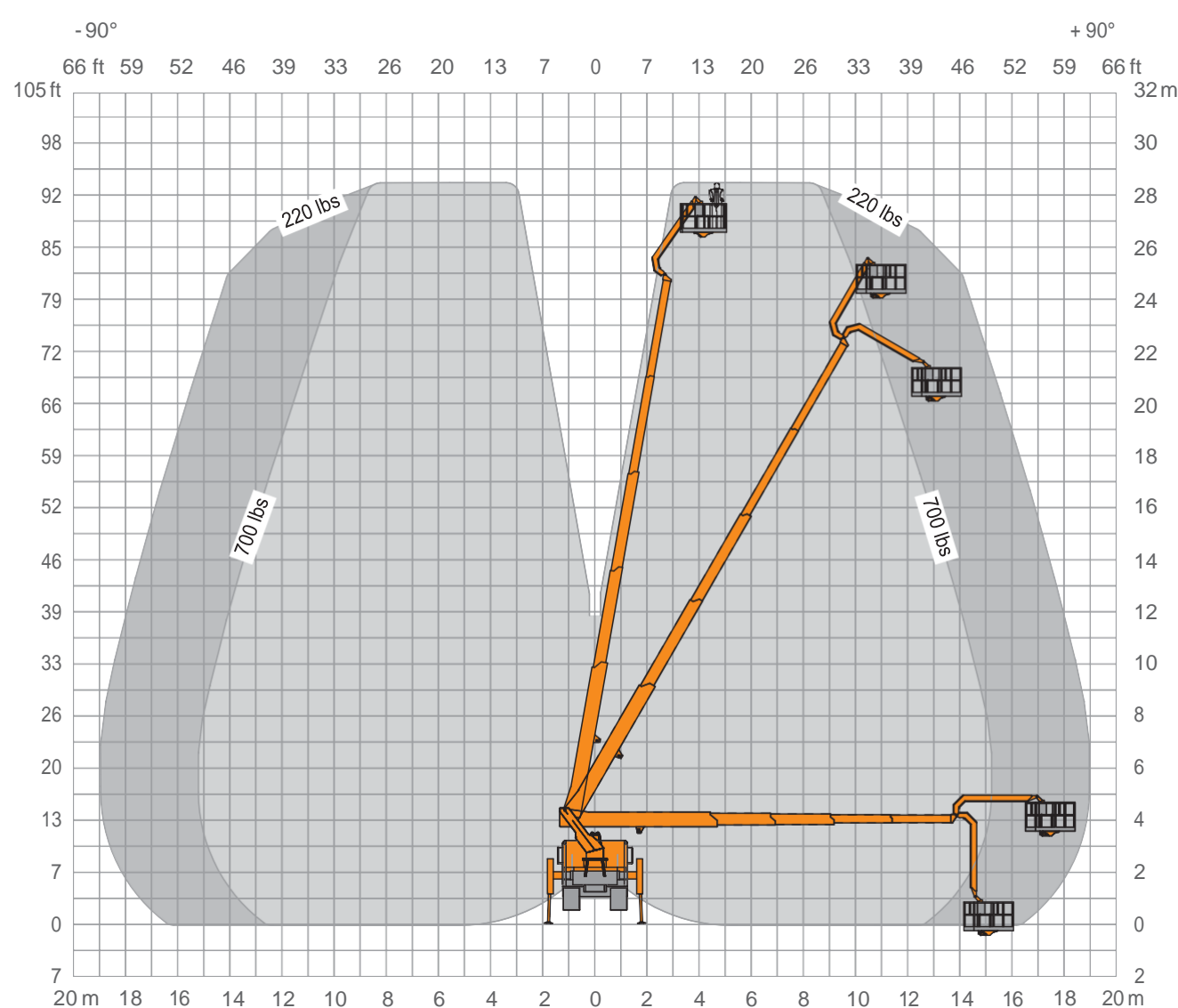
RUTHMANN TU 93 A

NO CDL



RUTHMANN TU 93 A

| | | | | | | | | | |
|---|--------------------|---|--------|--|---------------------------|---|--------------------|---|-------------------------|
|  | 93 ft 28.5 m |  | NO CDL |  | 67 x 34 in 1.7 x .86 m |  | 700 lbs 300 kg |  | 28' 8" 8729 mm |
|  | 62 ft 3 in 19 m |  | 180° |  | 5° |  | 12' 11" 3937 mm |  | 24.500 lbs 11,100 kg |



Compact Package

- + 93ft work height
- + 62 ft horizontal outreach
- + Under 26000 lbs GVWR - Below CDL
- + 700 lbs basket capacity
- + COCKPIT - control unit with display
- + Straight telescopic boom with jib
- + Multi-beveled boom profile
- + Auto outrigger setting and leveling
- + Ford F650-6.7I Power Stroke Diesel
- + Air or Hydraulic Brakes available